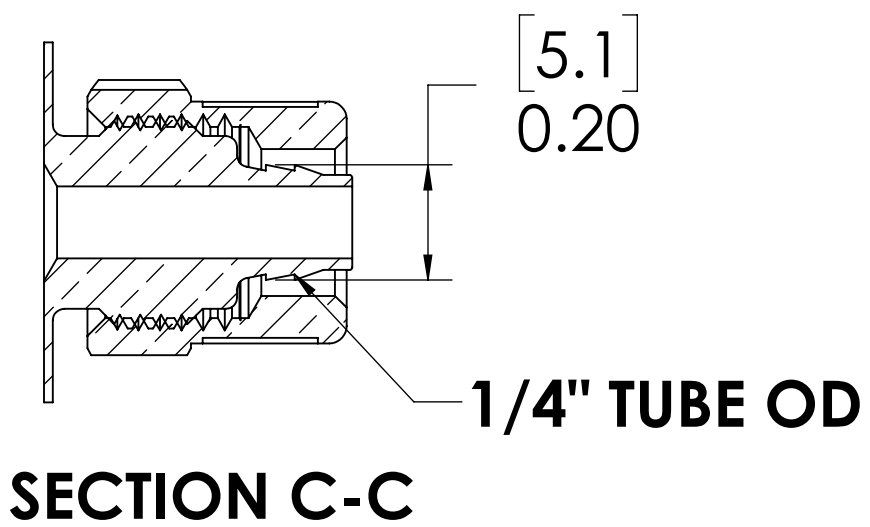
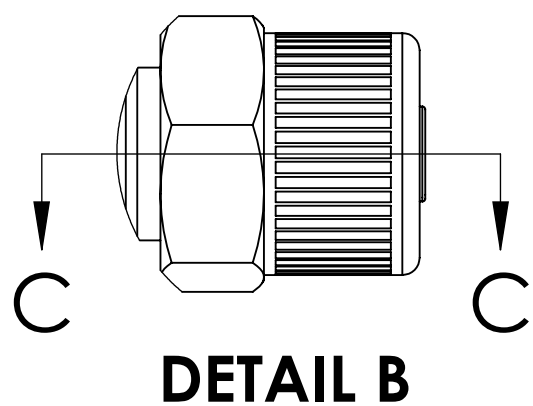
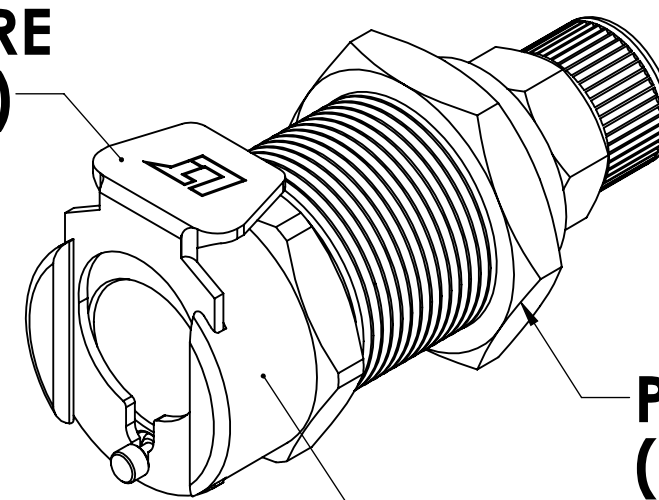


REVISIONS						
SHEET	ZONE	REV.	ECO	DESCRIPTION	DATE	APPROVED
1	ALL	A	50030	CHANGED C129 TO C115	11/7/2012	HRC
1	ALL	A	50030	CORRECTED PART NUMBER	11/7/2012	HRC
1	ALL	A	50030	UPDATED NOTE BLOCK	11/7/2012	HRC
1	ALL	B	50242	UPDATE DWG TO CURRENT FORMAT & STANDARDS	10/18/2018	HRC

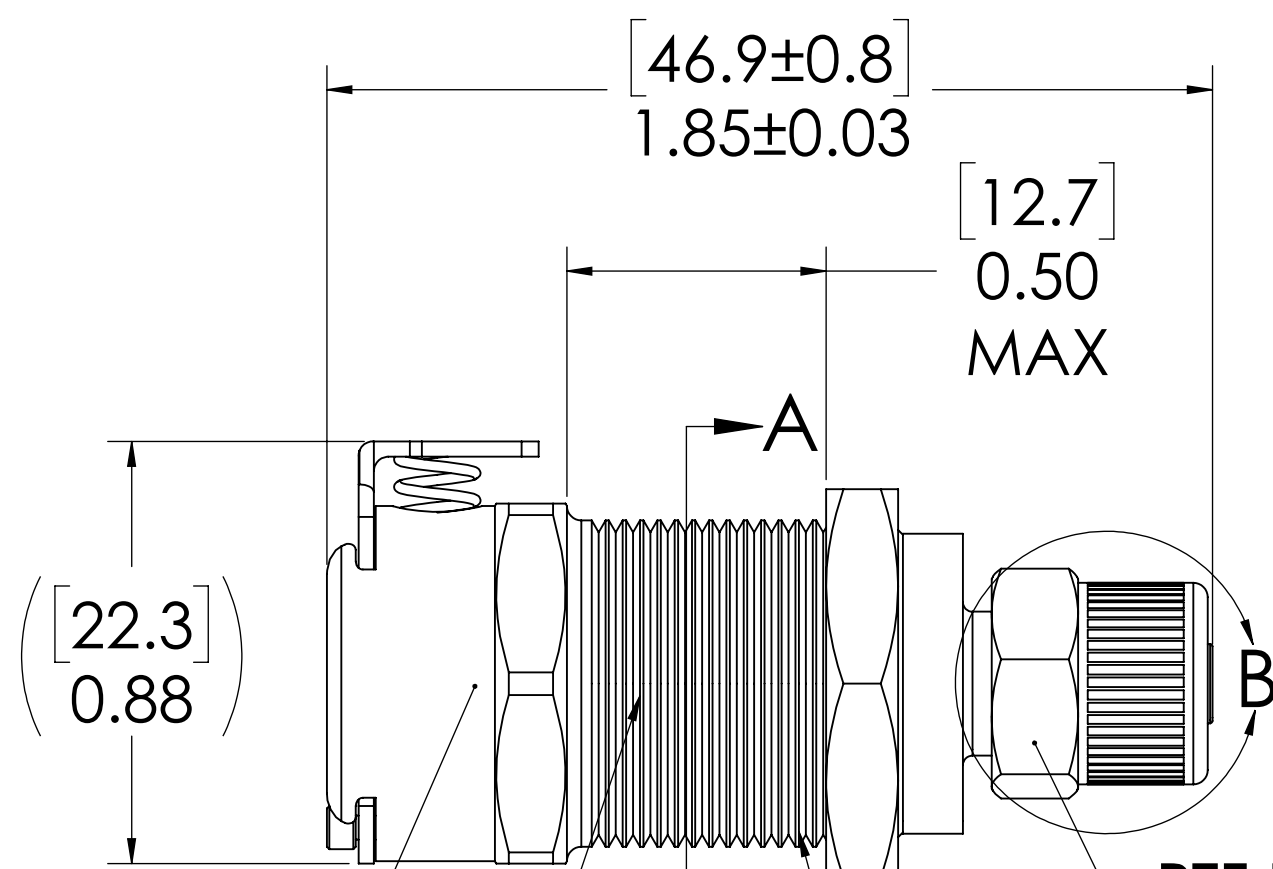
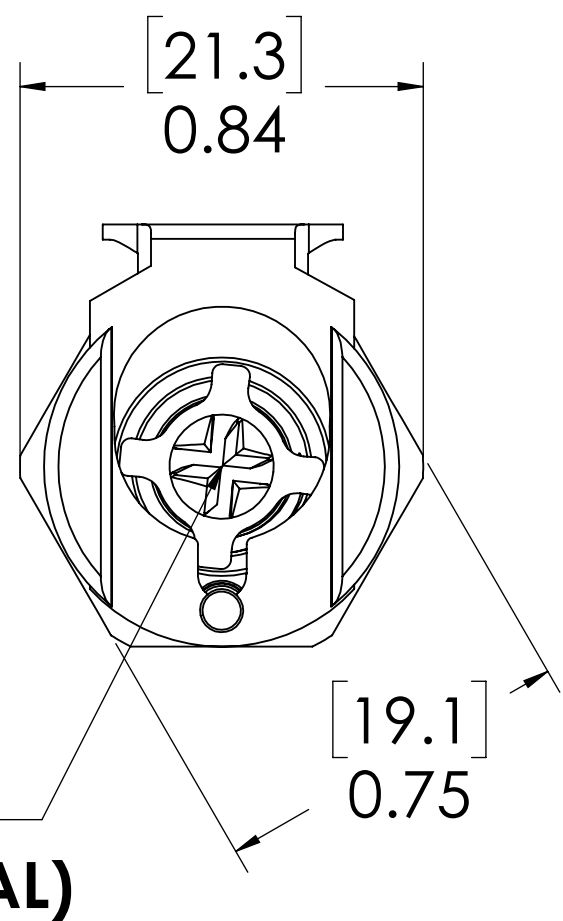


**LATCH HARDWARE
(STAINLESS STEEL)**

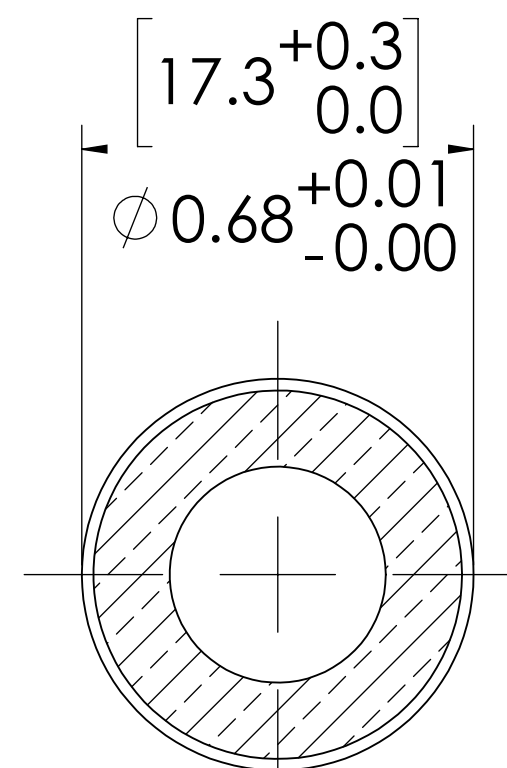


**PANEL NUT
(BRASS, NICKEL PLATED)
(PACKAGED SEPARATELY)**

**SOCKET
(BRASS, NICKEL &
CHROME PLATED)**



**PTF NUT
(BRASS, NICKEL PLATED)
(PACKAGED SEPARATELY)**



**VALVE O-RING
INTERNAL
(BUNA-N)**

11/16\"-24 UNS THREAD

NOTES:

- MATERIAL: BRASS
- FINISH: CHROME
- O-RING MATERIAL: BUNA-N
- O-RINGS LUBRICATED WITH FOOD GRADE SILICONE OIL, 350 CST.

FOR REFERENCE ONLY

<small>UNLESS OTHERWISE SPECIFIED: DIMENSIONS ARE IN INCHES TOLERANCES: FRACTIONAL ± 1/32 ANGULAR: MACH ± 0.5 BEND ± 2 ONE PLACE DECIMAL ± 0.1 TWO PLACE DECIMAL ± 0.01 THREE PLACE DECIMAL ± 0.005 TWO PLACE DUAL (mm) [±0.12]</small>	DRAWN	LMP	3/15/2018							
	CHECKED	HRC	3/15/2018							
	ENG APPR.	HRC	10/18/18							
	MFG APPR.	BDB	10/18/18							
PRODUCTION	LS	10/18/18		PART NO: 40CBV-SB8-04 DESCRIPTION: LinkTech 40CB Series Panel Mt. Female, Valved, 1/4" PTF, Chrome Brass						
<small>PROPRIETARY AND CONFIDENTIAL THE INFORMATION CONTAINED IN THIS DRAWING IS THE SOLE PROPERTY OF LINKTECH LLC. ANY REPRODUCTION OR DISCLOSURE IN PART OR AS A WHOLE WITHOUT THE WRITTEN PERMISSION OF LINKTECH LLC IS STRICTLY PROHIBITED.</small>				<table border="1"> <tr> <td>SIZE</td> <td>DWG. NO.</td> <td>REV</td> </tr> <tr> <td>C</td> <td>40CB400039</td> <td>B</td> </tr> </table>	SIZE	DWG. NO.	REV	C	40CB400039	B
SIZE	DWG. NO.	REV								
C	40CB400039	B								
<small>SCALE: NTS WEIGHT: SHEET 1 OF 1</small>										